

ARX 26-2

LIGHT TANDEM VIBRATORY ROLLER
EU Stage IIIA / US EPA Tier 4 Interim



WORKING AROUND OBSTRUCTIONS

The Ammann ARX 26-2 Light Tandem Roller makes it easier to see – and work – near obstructions. The roller features a new articulation joint that enables quick drum adjustment from in-line to offset configurations, helpful when working close to obstructions. Operators need watch only one drum, knowing the second will be a safe distance from the obstacle. The in-line drum setting is available when it's time for productivity in open spaces.

PRODUCTIVITY

Electronic drive lever

Smooth start and stop important, especially on asphalt jobs

ACE^{force}

Intelligent compaction tool for best efficiency

Adjustable oscillating articulation joint

Oscillating joint easy changeable from Off-set into In-line drum setting

ERGONOMICS

Operators platform design

Spacious operator platform with slideable seat

Simple and reliable dashboard

Intuitive machine control, even with an unskilled operator

Visibility

Perfect all-around machine visibility for safety on the jobsite

SERVICEABILITY

Design that enables daily maintenance

Easy and fast daily maintenance

Accessible service and maintenance points

Machine serviced from ground, enabling comfort

Maintenance free parts

Reduced risk of machine damage

APPLICATIONS

- Small and medium construction sites
- City roads
- Boardwalks
- City street repairs
- Road maintenance

MAXIMUM RECOMMENDED COMPACTED LIFT THICKNESS AT OPTIMAL WORKING CONDITIONS

	Sand / gravel	Mixed soils	Silt	Clay	Stabilisation	Asphalt
ARX 26-2	250 mm (9.8 in)	180 mm (7.1 in)	–	–	120 mm (4.7 in)	100 mm (3.9 in)

AMMANN

TECHNICAL SPECIFICATIONS
ARX 26-2 LIGHT TANDEM VIBRATORY ROLLER
EU Stage IIIA / US EPA Tier 4 Interim

DIMENSIONS

A	MACHINE LENGTH	2500 mm (98.4 in)
B	WHEELBASE	1740 mm (68.5 in)
C	MACHINE HEIGHT	2550 mm (100.4 in)
D	MACHINE HEIGHT (FOLDED ROPS)	1935 mm (76.2 in)
E	DRUM WIDTH	1200 mm (47.2 in)
F	WORKING WIDTH WITH OFFSET	1240 mm (48.77 in)
G	MACHINE LENGTH (FOLDED ROPS)	2585 mm (101.8 in)
H	GROUND CLEARANCE	280 mm (11 in)
I	DRUM DIAMETER	695 mm (27.4 in)
J	DRUM SHELL THICKNESS	13 mm (0.5 in)
K	MACHINE WIDTH (TOTAL)	1350 mm (53.1 in)

WEIGHT AND OPERATING CHARACTERISTICS

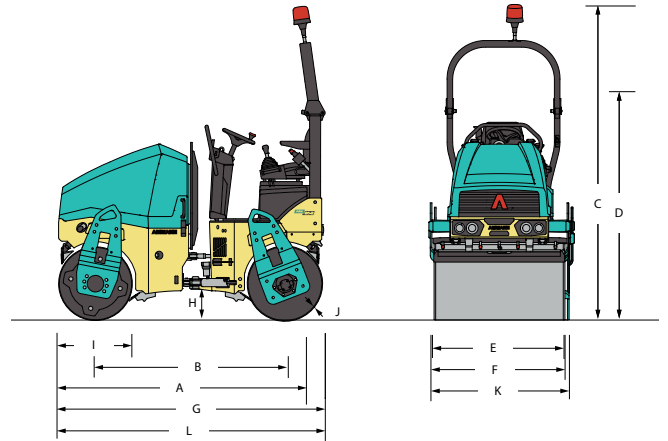
OPERATING WEIGHT CECE	2515 kg (5540 lb)
OPERATING WEIGHT MAX.	2710 kg (5970 lb)
STAT. LIN. LOAD OF FRONT DRUM	10.3 kg/cm (22.7 lb)
STAT. LIN. LOAD OF REAR DRUM	11 kg/cm (24.25 lb)
TURNING RADIUS INSIDE	2540 mm (100 in)
STEERING / OSCILLATING ANGLE	30/6.5 ±°
DRUM OFFSET	40 mm (1.6 in)

ENGINE

ENGINE TYPE	Kubota D1803-M-DI-E3B
EMMISSION CLASS	EU Stage IIIA / US EPA Tier 4i
POWER OUTPUT ISO 3046	24.8 kW (33.3 HP)
CYLINDER / LTR.	3 cyl / 1826 No./ccm
NOMINAL SPEED	2.100 / 2.400 rpm
TRAVEL SPEED	11 km/h (6.8 MPH)
GRADEABILITY WITH / WITHOUT VIBR.	30 % / 30 %

STANDARD

- Front and rear vibration and drive
- Control system with emergency stop
- Pressurised pulse interval sprinkler system
- Ammann Vibration Control
- Lateral sliding seat
- 2 working frequencies
- Hydraulic test ports



COMPACTION FORCES

AMPLITUDE I	0.5 mm (0.02 in)
AMPLITUDE II	0.5 mm (0.02 in)
FREQUENCY I	58 Hz (3480 VPM)
FREQUENCY II	66 Hz (3960 VPM)
CENTRIFUGAL FORCE I	38.8 kN (8722.6 lbf)
CENTRIFUGAL FORCE II	46.5 kN (10 453.6 lbf)

MISCELLANEOUS

BATTERY / CAPACITY	12/77 V/Ah
WATER TANK	190 l (50.2 gal)
HYDRAULIC TANK	28.5 l (7.5 gal)
DIESEL FUEL TANK	35 l (9.2 gal)

OPTIONAL EQUIPMENT

- CE-Kit with folding ROPS and road lights
- Road lights
- Infrared Thermometer
- Reverse alarm
- ATC – Ammann Traction Control
- Arm rests
- Second drive-lever, left
- Edge-cutter incl. multi-function lever
- Bio-degradable hydraulic oil
- Drums in line
- Customer colour
- Central lifting hook
- ACE^{force}
- Warning beacon LED
- Additional working lights (ROPS mounted)
- Foldable scrapers
- Weather canopy