

# ARX 23-2C

COMBINATION TANDEM ROLLER  
EU Stage V / US EPA Tier 4f

## WORKING AROUND OBSTRUCTIONS

The Ammann ARX 23-2C Light Tandem Roller makes it easier to see – and work – near obstructions. It also offers a drum in front and tyres in back to provide both compaction power and the sealing effect of pneumatic rollers. The roller features a new articulation joint that enables quick drum adjustment from in-line to offset configurations, helpful when working close to obstructions. Operators need watch only one drum, knowing the second will be a safe distance from the obstacle. The in-line drum setting is available when it's time for productivity in open spaces.

### PRODUCTIVITY

#### Electronic drive lever

Smooth start and stop important, especially on asphalt jobs

#### ACE<sup>force</sup>

Intelligent compaction tool for best efficiency

#### Adjustable oscillating articulation joint

Oscillating joint easy changeable from Off-set into In-line drum setting

### ERGONOMICS

#### Operators platform design

Spacious operator platform with slideable seat

#### Simple and reliable dashboard

Intuitive machine control, even with an unskilled operator

#### Visibility

Perfect all-around machine visibility for safety on the jobsite

### SERVICEABILITY

#### Design that enables daily maintenance

Easy and fast daily maintenance

#### Accessible service and maintenance points

Machine serviced from ground, enabling comfort

#### Maintenance free parts

Reduced risk of machine damage

### APPLICATIONS

- Small and medium construction sites
- City roads
- Boardwalks
- City street repairs
- Road maintenance

MAXIMUM RECOMMENDED COMPACTED LIFT THICKNESS AT OPTIMAL WORKING CONDITIONS

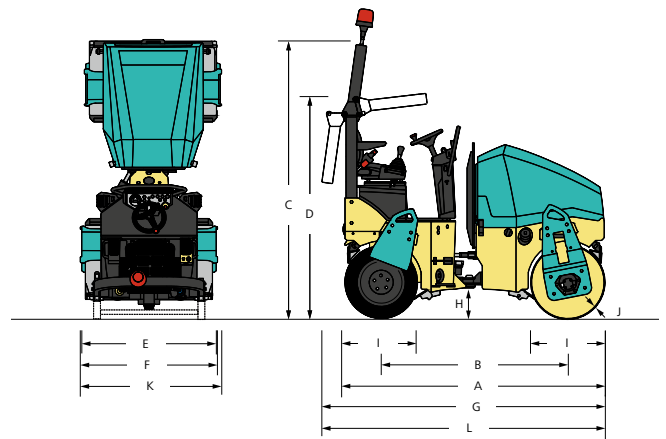
	Sand / gravel	Mixed soils	Silt	Clay	Stabilisation	Asphalt
ARX 23-2C	220 mm (8.7 in)	150 mm (5.9 in)	–	–	100 mm (3.9 in)	80 mm (3.2 in)

**AMMANN**

TECHNICAL SPECIFICATIONS  
ARX 23-2C COMBINATION TANDEM ROLLER  
EU Stage V / US EPA Tier 4f

## DIMENSIONS

A	MACHINE LENGTH	2500 mm (98.4 in)
B	WHEELBASE	1755 mm (69.1 in)
C	MACHINE HEIGHT	2550 mm (100.4 in)
D	MACHINE HEIGHT (FOLDED ROPS)	1935 mm (76.2 in)
E	DRUM WIDTH	1000 mm (39.4 in)
E	TIRE-AXLE WIDTH	-
F	WORKING WIDTH WITH OFFSET	N/A
G	MACHINE LENGTH (FOLDED ROPS)	2585 mm (101.8 in)
H	GROUND CLEARANCE	280 mm (11 in)
I	DRUM DIAMETER/ (TIRES)	695/635 mm (27.4/25 in)
J	DRUM SHELL THICKNESS	13 mm (0.5 in)
K	MACHINE WIDTH (TOTAL)	1120 mm (44.1)
L	MACHINE LENGTH (TOTAL)	2585 mm (101.8 in)



## MISCELLANEOUS

BATTERY / CAPACITY	12/77 V/Ah
WATER TANK	190 l (50.2 gal)
HYDRAULIC TANK	28.5 l (7.5 gal)
DIESEL FUEL TANK	35 l (9.2 gal)
WHEEL LOAD	N/A
NUMBER OF WHEELS	4
TIRE SIZE	205/60 R15

## ENGINE

ENGINE TYPE	KUBOTA D1803-CR-E4B
EMMISSION CLASS	EU Stage V / US EPA Tier 4f
POWER OUTPUT ISO 3046	25 kW (33.5 HP)
CYLINDER / LTR.	3 cyl / 1826 cm <sup>3</sup>
1. / 2. WORKING SPEED	2.100 / 2.400 rpm
TRAVEL SPEED KM/H	11 km/h (6.8 MPH)
MAX. GRADEABILITY (THEORETICAL)	53 %

## COMPACTION FORCES

AMPLITUDE	0.5 mm (0.02 in)
FREQUENCY AT 2100 / 2400 RPM	58/66 Hz (3480/3960 VPM)
CENTRIFUGAL FORCE	33.4/39.9 kN
ROAD CONSTRUCTION TECHNOLOGY	ACE <sup>force</sup>

## WEIGHT & OPERATING CHARACTERISTICS

OPERATING WEIGHT CECE	2085 kg (4600 lb)
OPERATING WEIGHT MAX.	2250 kg (4960 lb)
STATIC LINEAR LOAD (FULL-FLUSH)	10.9/- kg/cm (24/- lb)
TURNING RADIUS INSIDE	2630 mm (103.5 in)
STEERING / OSCILLATING ANGLE	30/6.5 ±°
DRUM OFFSET	N/A



### STANDARD

- Front and rear vibration and drive
- Control system with emergency stop
- Pressurised pulse interval sprinkler system
- Ammann Vibration Control
- Lateral sliding seat
- 2 working frequencies
- Hydraulic test ports

### OPTIONAL EQUIPMENT

- CE-Kit with folding ROPS and road lights
- Road lights
- Infrared Thermometer
- Reverse alarm
- ATC – Ammann Traction Control
- Arm rests
- Second drive-lever, left
- Edge-cutter incl. multi-function lever
- Bio-degradable hydraulic oil
- Drums in line
- Customer colour
- Central lifting hook
- ACE<sup>force</sup>
- Warning beacon LED
- Additional working lights (ROPS mounted)
- Foldable scrapers
- Weather canopy